



Koriks Brasero grill

User and maintenance manual

Koriks-Fiiber OÜ

2023

Table of contents


1 General information	2
1.1 Symbols.....	3
1.2 Definitions.....	3
1.3 Warnings.....	4
1.4 Manufacturer's information	4
2 Intended use	5
3 Transport, assembly and installation.....	5
3.1 Transport.....	5
3.2 Assembly and installation	7
4 Operation.....	8
5 Residual risks.....	9
6 Maintenance.....	10
7 Warranty.....	10
8 Contact details	10


1 General information


The user and maintenance manual of the product includes information about the manufacturer, intended use, handling, transport, assembly, operation and maintenance of the product.

This manual should be used as a how-to guide during operation and maintenance of the product.

1.1 Symbols

	<p>DANGER!</p>	<p>Immediate danger!</p>
---	-----------------------	---------------------------------

	<p>CAUTION!</p>	<p>A potentially hazardous situation.</p>
---	------------------------	--

	<p>ATTENTION!</p>	<p>Please note!</p>
--	--------------------------	----------------------------

1.2 Definitions

Product – Koriks Brasero grill The Koriks Brasero grill is suitable for multiple usage situations. The grill can be used to grill, fry, boil and keep warm a wide range of food items (meat, fish, eggs, vegetables and fruits, pastry, etc.). It can also be used as a replacement for an ordinary campfire.

The grill is manufactured from durable Cor-Ten® steel. Cor-Ten® steel is strong, with a durable external patina layer developing naturally due to the surrounding environmental conditions, thus ensuring the product withstands the test of time. When used properly, it is attractive, enduring and does not require special maintenance.

The new grill usually has the conventional steel colour (greyish). The protective layer that might look like rust usually develops on the product surface within two to four weeks. You can accelerate this process by spraying a saline solution on the grill a few times. Makes sure that the saline solution does not get on the grill plate and grate.

The top of the grill (plate and grate) is made from 10 mm thick S355 carbon steel.

Handling – transporting, installing or doing maintenance work with the product.

Operation – using the product after correct handling and installation.

Assembly – assembling or installing different parts.

Transport – moving the product from one location to another. Transport also includes lifting the product or its parts from one location to another.

Residual risks – risks that are present during operation of the product.

Maintenance – actions related to cleaning, repairing or replacing parts of the product.

Operator – anyone associated with transport, handling, installation or maintenance of the product.

Warranty – a period after the product has been sold during which the manufacturer is responsible for the technical condition of the product. The warranty lasts 24 months from the date of purchase.

1.3 Warnings

The warranty is valid only when this manual and its requirements are followed.

Handling and maintenance may only be performed by operators who have read and understood this manual.

The operators must be at least 18 years of age and must have understood this manual.

The operator must wear safety equipment at all times.

All operations must be stopped immediately if a dangerous situation arises during handling or operation of the product. The rescue service must be notified, if necessary.

All assembly and maintenance operations must be done by qualified and skilled operators.

If the construction of the product is modified, the product must be tested and approved by the manufacturer or its representative.

During the handling, installation, maintenance and operation of this product and its different parts, all necessary national laws/regulations must be considered (in addition to the content of this manual) to ensure the safety of users and the validity of the warranty.

No warranty is provided against damage resulting from modification of the product or use of non-original parts not approved by the manufacturer.

Please contact the manufacturer regarding any questions about this manual.

Please contact the manufacturer regarding any points that are not covered in this manual.

1.4 Manufacturer's information

Koriks-Fiiber OÜ

www.koriks.ee


Registry code: 10959488

6 Sooja Street, Saue, Harju County 76505


Phone: (+372) 659 6442


2 Intended use

The Koriks Brasero grill is intended for use only outdoors and can be used all year round.

	DANGER!	Using the product indoors is strictly prohibited. Such use may lead to serious injury or death.
---	----------------	--

It is prohibited to use the product for unintended purposes.

	ATTENTION!	Using the product for unintended purposes may damage property or the product or cause health hazards.
---	-------------------	--

	CAUTION!	The use of non-original parts may damage the product and pose a threat to human life.
---	-----------------	--

3 Transport, assembly and installation

3.1 Transport

The Koriks Brasero grill is transported on a pallet.

Before opening the packaging make sure that it is not damaged. If the packaging is damaged, mark the damage on the transport documentation (CMR).

One packaged unit weighs between 100 and 200 kilograms, the exact weight depending on whether the packaging contains only the grill or the grill and the table module.

Before assembling and installing the product, please remove the film and cardboard packaging from the product.

Shifting the grill into the correct position requires at least two people. If possible, use a lifting device.

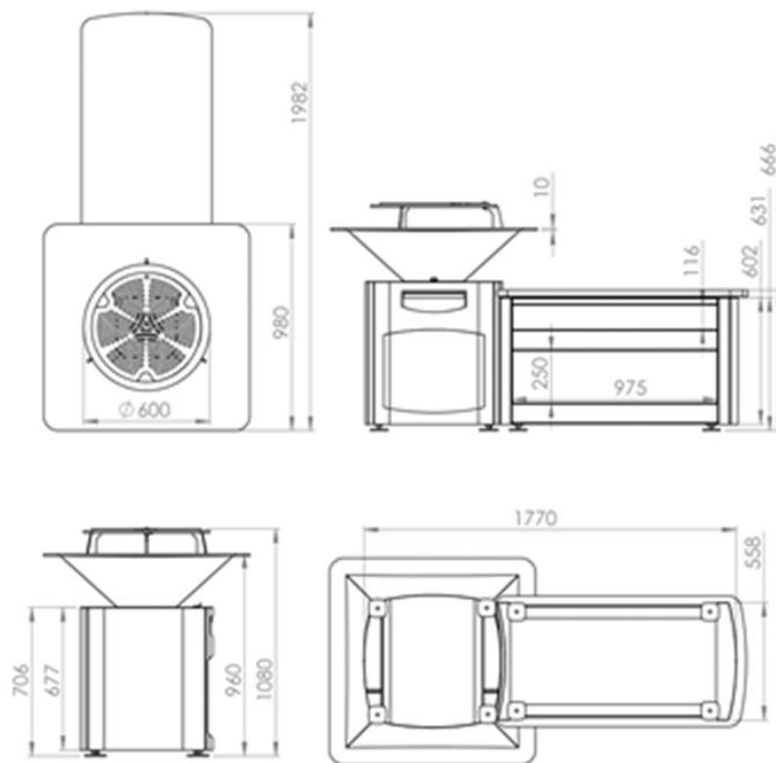


Image 1. Figure

3.2 Assembly and installation

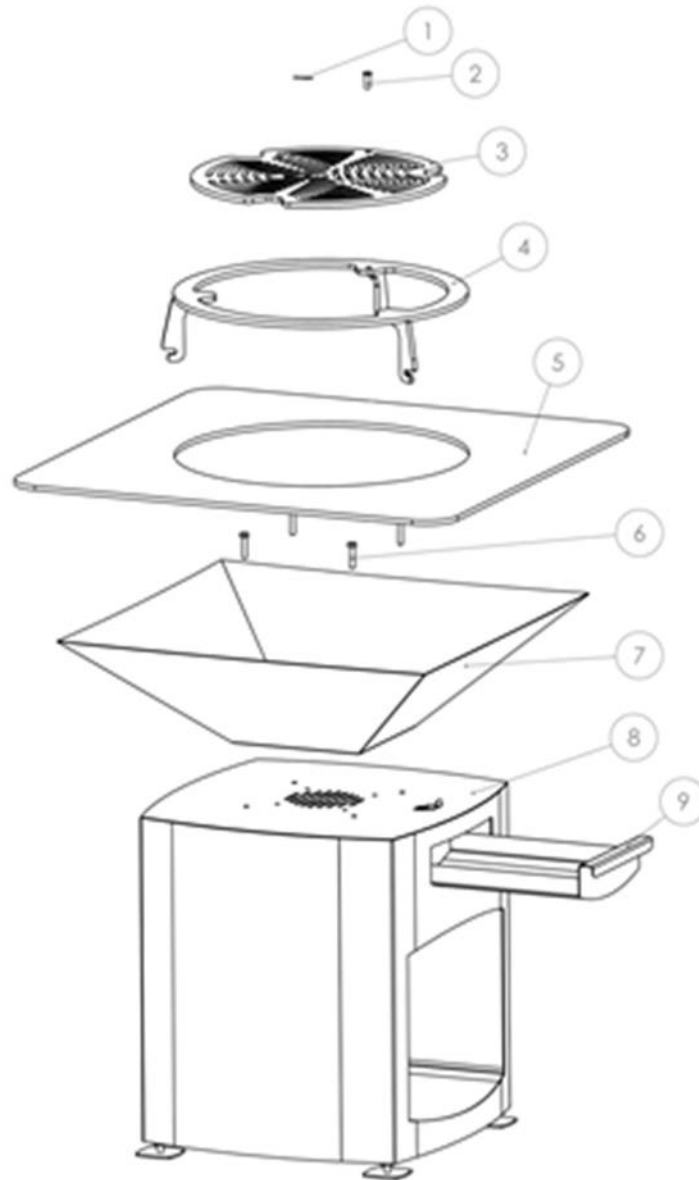


Image 2. Parts of the grill

- Washer (1)
- Nut + bolt (2)
- Grill grate (3)
- Grill grate holder (4)

- Grill plate (5)
- Bolts 4 pcs (6)
- Furnace (7)
- Grill base (8)
- Ash receptacle (9)

Make sure that the grill is not adjacent to trees and other highly flammable objects or items. When choosing a safe installation distance, please consult your local rescue service.

The correct assembly order is as follows.

- Remove the plastic and cardboard packaging from different parts.
- Install the grill on a prepared, even, hard and non-flammable surface.
- Attach the furnace to the base of the grill with the bolts.
- Install the grill plate.
- Install the grate holder and the grill grate.
- Adjust the grill legs, if necessary, by turning them inwards or outwards. Use a spirit level, if necessary.
- Fill the furnace with firewood (not exceeding 5 kilograms).
- Light the fire.
-

4 Operation


Read this manual before operating the grill and check the following aspects.


- 1) Make sure that installation work has been carried out correctly (following this manual).
- 2) Before lighting the fire in the furnace make sure that the grill is on an even surface and does not wiggle.
- 3) Make sure there are no highly flammable items in the vicinity.


To light a fire you should place four to six pieces of firewood (not exceeding the 5 kg limit) of suitable length in the furnace.

For easier firewood placement in the furnace the grill grate can be turned away from the furnace or removed completely.

You can use paper, cardboard or a firelog to light the fire.

	<p>DANGER!</p>	<p>Highly flammable items near the grill can cause a fire.</p>
---	-----------------------	---

	<p>DANGER!</p>	<p>You should not light the fire in the grill before adjusting the grill legs.</p>
---	-----------------------	---

	<p>CAUTION!</p>	<p>It is forbidden to place items on the grill. Fire hazard!</p>
---	------------------------	---

The grill remains hot for several hours after grilling. You must never touch it with bare hands during operation. Use special gloves or accessories to move the grill.

Only an adult can perform grilling.


It is forbidden to place in the furnace at any moment an amount of firewood that exceeds the limit.

Fire safety and safe distances

- The grill must not be installed closer than 5 metres to the building's eaves or other flammable objects. Some regions may have shorter allowed distances, please consult your local rescue service.
- To ensure safety, please make sure that the grill does not block a path and is not accessible to children.
- You can contact the local rescue service for additional guidelines on selecting a safe installation place for the grill.

5 Residual risks

Residual risks are risks that remain even after the safety precautions of the product have been applied.

	<p>DANGER!</p>	<p>The grill is hot when in use! Do not touch it with bare hands! Burn hazard!</p>
---	-----------------------	---

6 Maintenance

After grilling you should clean the grill plate and apply either grease or oil to prevent rusting. You can use special spatulas and brushes to clean it.

It is recommended to keep the grill covered between uses so that the grill plate does not become dirty or rusty.

If you do not intend to use the grill for a longer time period, you should move it to a dry room for storage.

Check the ash receptacle content after 10 uses and empty it if necessary.

7 Warranty

The grill has been given a material and production defect warranty for a period of 24 months. The warranty is valid only if the user has read and understood the user and maintenance manual and follows it.

Please note! Products designed for commercial use have a different warranty period.

Damage caused by extreme events or other weather phenomena is not covered by the warranty.

Normal wear resulting from the use of the product is not covered by the warranty.

The warranty covers only permeating rust damage. Surface rust and colour changes are not covered by the warranty.

The warranty does not cover damage from heating.

The warranty becomes void if the product is tampered with, repaired without authorisation or not used for its intended purpose.

The warranty becomes void if the product has been stored in the wrong position or in unsuitable conditions.

The warranty is valid if the buyer informs the manufacturer of the defect within a reasonable time (7 days). The buyer must be able to reliably prove where and when the product was purchased and clearly state the nature of the defect.

8 Contact details



Koriks-Fiber OÜ

www.koriks.ee

info@koriks.ee

6 Sooja Street, Saue, Harju County 76505

Phone: (+372) 659 6442