

External heater hot tub

User and maintenance manual

Koriks-Fiiber OÜ

2018



Table of contents

| | |
|--|----|
| 1 General information | 3 |
| 1.1 Symbols | 3 |
| 1.2 Definitions | 4 |
| 1.3 Warnings | 4 |
| 1.4 Manufacturer's information | 5 |
| 2 Intended use | 5 |
| 3 Transport, assembly and installation | 6 |
| 3.1 Transport | 6 |
| 3.2 Assembly and installation | 6 |
| 4 Operational use | 12 |
| 5 Residual risks | 15 |
| 6 Maintenance | 16 |
| 7 Warranty | 17 |
| 8 Contact information | 17 |

1 General information

The product user and maintenance manual includes information about the manufacturer, intended use, handling, transport, assembly, operational use and maintenance of the product.

This manual should be used as a how-to guide during the operation and maintenance of the product.

This manual covers the following hot tubs.

| Model | Product weight (kg) | Total weight with water (kg) | Capacity, litres (L) |
|---------------|---------------------|------------------------------|----------------------|
| Koriks 800 L | 140 | 940 | 800 |
| Koriks 1000 L | 180 | 1180 | 1000 |
| Koriks 1100 L | 180 | 1280 | 1100 |
| Koriks 1200 L | 180 | 1380 | 1200 |
| Koriks 1500 L | 210 | 1710 | 1500 |
| Koriks 1600 L | 230 | 1830 | 1600 |
| Koriks 1650 L | 240 | 1890 | 1650 |
| Koriks 1700 L | 230 | 1930 | 1700 |
| Koriks 1800 L | 180 | 1980 | 1800 |
| Koriks 2300 L | 260 | 2560 | 2300 |

Total weights in the table above do not include people in the tub.

1.1 Symbols

| | | |
|--|----------------|---|
| | DANGER! | IMMEDIATE or possibly imminent danger. |
|--|----------------|---|

| | | |
|--|-----------------|---|
| | CAUTION! | A potentially hazardous situation. |
|--|-----------------|---|

| | | |
|--|-------------------|--------------|
| | ATTENTION! | Note! |
|--|-------------------|--------------|



1.2 Definitions

Product – hot tub with an external heater.

Handling – transporting, installing or doing maintenance work with the product.

Operational use – using the product after correct handling and installation.

Transport – moving the product from one location to another. Transport also includes lifting the product or its parts.

Residual risks – risks that are present during operational use and even after applying safety precautions.

Maintenance – actions related to cleaning, repairing or replacing various parts of the product.

Operator – anyone who is associated with product handling, transport, installation, or maintenance.

Warranty – a period after the product has been sold during which the manufacturer is responsible for the technical condition of the product. The warranty lasts 24 months from the date of purchase.

Tub – part of the hot tub that holds the water (see image 3).

External heater – a heater (see image 1) connected to the hot tub for heating the water.

1.3 Warnings

Warranty is valid only when this manual and its requirements are followed.

Handling and maintenance may only be performed by operators who have read and understood this manual.

The operators must be at least 18 years of age and must have understood this manual.

The operator must wear safety equipment during all times.

All operations must be stopped immediately if a dangerous situation arises during handling or operational use of the product. Rescue service must be notified if necessary.

All installation and maintenance operations must be done by qualified operators.

If the construction of the product is modified, the product must be tested and approved by the manufacturer or its representative.

During the handling, installation, maintenance, and operational use of this product and its different parts, all necessary state laws / regulations must be considered (in addition to the content of this manual) to ensure the safety of users and the validity of the warranty.

No warranty is provided against damage resulting from reconstruction or modification of the product or use of non-original parts not approved by the manufacturer.

Please contact the manufacturer regarding any questions about this manual.

Please contact the manufacturer regarding any points that are not covered in this manual.

1.4 Manufacturer's information

Koriks-Fiiber OÜ

www.koriks.eu


Reg. No: 10959488

Address: Sooja 6, Saue, Harjumaa 76505


Phone: (+372) 659 6442


2 Intended use

The hot tub is intended for use only outdoors and can be used all year round. The hot tub is available with two different heaters – either external heater that is heated with wooden logs or an electric heater. There are separate instructions on using electric heater, these are not included in this manual.

| | | |
|---|-----------------------|---|
|  | <p>DANGER!</p> | <p>Using the product indoors is strictly prohibited and might lead to serious injury or death.</p> |
|---|-----------------------|---|

It is prohibited to use the product indoors and for unintended purposes.

| | | |
|---|--------------------------|---|
|  | <p>ATTENTION!</p> | <p>Using the product for unintended purposes may damage property or the product or cause health hazards.</p> |
|---|--------------------------|---|

| | | |
|---|------------------------|---|
|  | <p>CAUTION!</p> | <p>Use of non-original parts may lead to serious injuries and damage to the product.</p> |
|---|------------------------|---|



3 Transport, assembly and installation

3.1 Transport

The hot tub is transported on its side, attached to a transportation pallet. Keeping the hot tub in the transport position and unpacked for more than 14 days is not permitted. Keeping the hot tub in the transport position for more than 14 days may cause deformation of materials and moisture damage.

After receiving the product make sure that the packaging is not damaged. If the package is damaged, mark the damages on the transport documentation (CMR).

The weight of one package is approximately 110–260 kg (depending on the model).

Before assembling and installing the product please remove the packaging from the different parts and take out heater and chimney from the hot tub.

Minimum of three people must lift the tub in the correct position. If possible, a lifting device should be used.

After the hot tub is in the correct position, remove the pallet from the side.

3.2 Assembly and installation

The package includes the following parts.

- 1) Fiberglass hot tub body
- 2) External heater
- 3) Chimney (two parts)

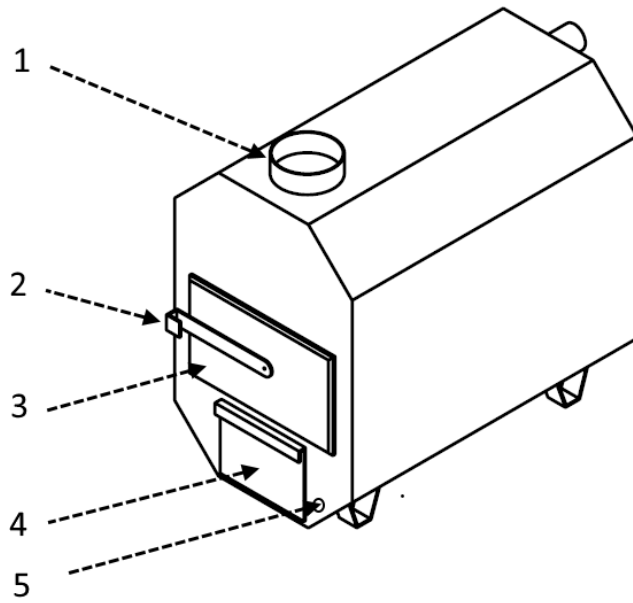


Image 1. Heater



Image 2. Chimney

- Chimney opening (1)
- External heater door handle (2)
- External heater door (3)
- External heater ash pan (4)
- External heater drain plug (5)
- Hot tub drain plug (1; see image 4 below)

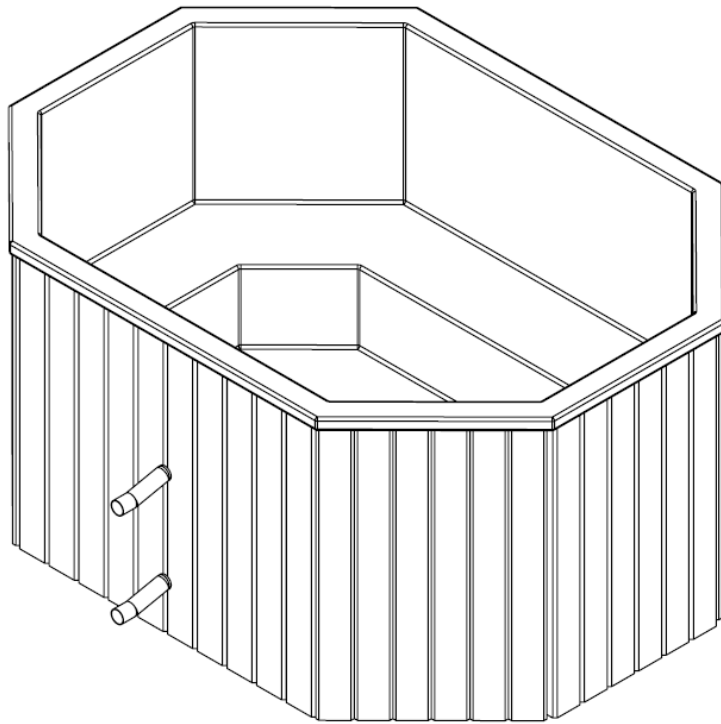


Image 3. Hot tub

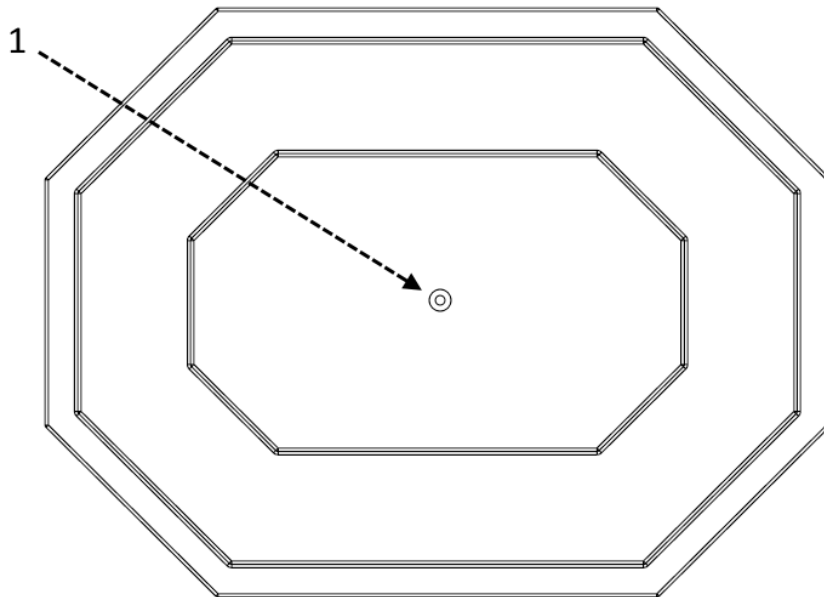


Image 4. Hot tub drain plug



Make sure that the external heater and chimney are not situated near flammable items/materials.

Safe distances must be consulted on with the local rescue service.

Loosen the hose clamps before connecting the hoses to the heater, and then push the hoses firmly onto the pipes behind the heater. Liquid soap or another lubricant may be used to facilitate the process. The overlap must be at least 4 cm.

Make sure that the drain plug is closed before filling the hot tub with water.

Debris may flow from the heater when filling the hot tub with water for the first time.

Follow the assembly order specified in this manual.

The correct assembly order is as follows.

- Remove the plastic and cardboard packaging from the different parts.
- Install the hot tub on a pre-prepared flat and hard surface(preferably a concrete slab or paving stone).
- The surface under the hot tub must remain ventilated and the exterior finish must not be in contact with the ground or grass.
- Install the heater to the same level with the hot tub. See image 5.
- Attach the elastic hoses (2 pcs) to the metal pipes on the rear of the external heater. The overlap must be at least 4 cm.
- Tighten the clamps (4 pcs). See images 6 and 7.
- Close the drain plugs on the hot tub and heater. The drain plug of the stove must be placed in the opening about a third of the way and screwed tightly using light force. See images 4 and 8.
- Attach the chimney to the external heater (two parts of the chimney need to be assembled beforehand). See image 9.
- Fill the hot tub with water.

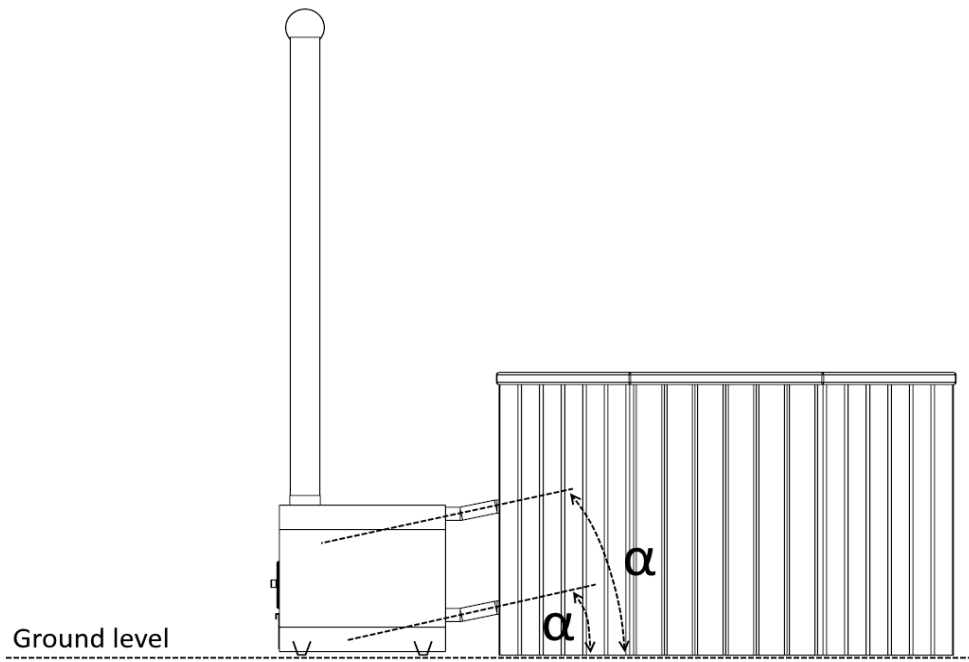


Image 5. Correct position of the heater and elastic hoses

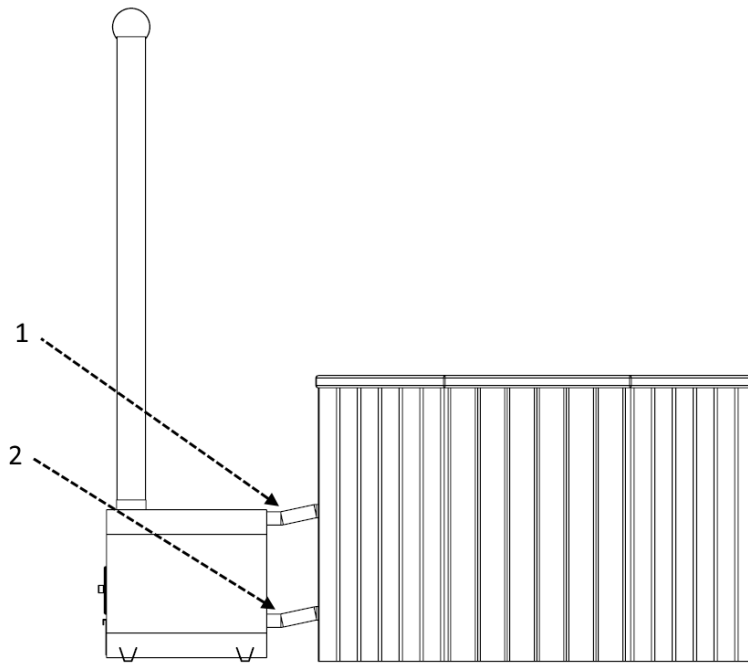


Image 6. Locations of the hose clamps of the external heater



Image 7. External heater hose clamp

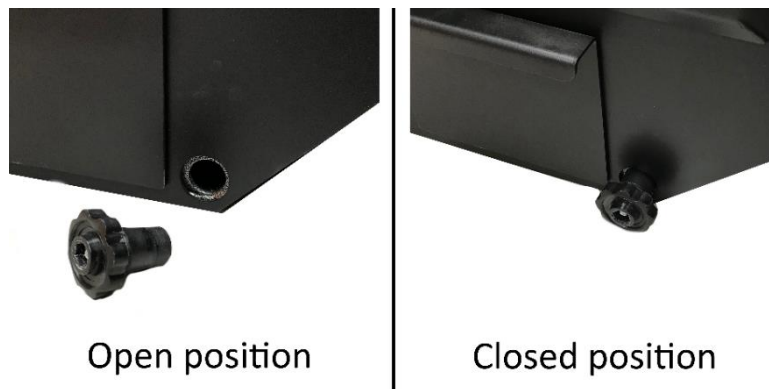


Image 8. External heater drain plug

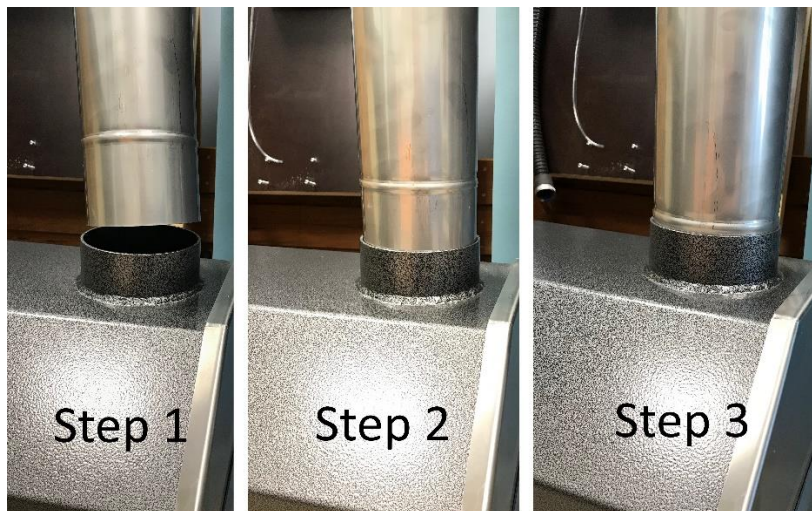


Image 9. Chimney assembly

4 Operational use

Read this manual before operating the external heater and check the following aspects.


- 1) Make sure installation works have been carried out correctly (following this manual).
- 2) The hot tub must be filled with water before starting a fire in the external heater.
- 3) The water level in the hot tub must be at least 5 cm above the higher pipe.
- 4) Make sure the drain plugs on the hot tub and heater are closed.
- 5) Make sure the hot tub is not leaking.
- 6) Make sure the hoses are properly connected.
- 7) Make sure that the hot tub, external heater, and their connecting hoses are properly installed. See images 5, 6 and 7.


To start a fire, place 4–6 logs of suitable length into the heater.


You can use paper, woodchips or flammable blocks to light the fire.


When using the heater (when a fire has already been lit in it), the door of the heater may only be opened for adding logs.

Wood up to 50 cm in length may be used in the stove. The distance between the burning wood and the stove door must be at least 10 cm; a smaller distance may deform the stove door or break the glass.

| | | |
|---|----------------|--|
|  | DANGER! | Leaving the external heater door open after adding logs may cause a fire. |
|---|----------------|--|

| | | |
|---|----------------|---|
|  | DANGER! | A fire must not be lit in the external heater before the hot tub is filled with water. |
|---|----------------|---|

| | | |
|---|----------------|---|
|  | DANGER! | Using fire accelerators such as ignition fluids or other similar fluids and solids is strictly prohibited. This may cause severe injuries or death and damage the product. |
|---|----------------|---|

| | | |
|---|------------------------|--|
|  | <p>CAUTION!</p> | <p>Placing objects onto the external heater is prohibited. Fire hazard!</p> |
|---|------------------------|--|

The external heater and the chimney will get hot during use and will remain hot for several hours after use. It is prohibited to touch those parts with bare hands. Always use the door handle when opening the heater door. See image 1.

Only one adult person should operate the hot tub external heater.

Water circulation must be ensured when using the external heater.

Stir the water from time to time to achieve an evenly distributed water temperature.

The recommended water temperature is around 35–38 °C. Higher water temperatures may cause health problems.

Do not drain the hot tub until the fire in the heater has been extinguished and the coals have cooled down.

The drain plug must be left open if the external heater is not in use.

If water circulation is achieved using a pump, its working pressure must not exceed 0.5 bar.

The use of circulation pumps is not recommended as this increases the heating time.

A pump failure will momentarily cause the furnace to break down.

The use of chlorine, chlorine-containing and other corrosive chemicals in the hot tub is prohibited. Before adding any chemicals to the water please read the chemical label and manual. Wrong use of chemicals can lead to health problems and damage of the product.

We recommend using pool salt or Dutrion tablets to keep the water clean, instructions must be followed.

Do not use abrasive or rough material for cleaning. It is also prohibited to remove dirt using sharp objects.

If you are not using the hot tub for longer periods of time, then use the hot tub cover to cover the hot tub to protect it against precipitation, dirt and solar radiation.

It is not allowed to walk, stand or sit on top of a covered tub. In winter, care must be taken to ensure that the weight of the snow on the cover does not damage it.

When you close the fasteners of the cover (insulated cover), make sure that the locking codes are '00' when closing, as this will make the clamp easier to lock. Once the clamp has been locked, you must change the code as this will ensure that the clamp locks more firmly and that unauthorised persons cannot access the hot tub. The code cannot be changed, which means it will always open with the code '00' and is locked with all other codes. You

should also check that there is not too much slack in the straps of the cover. If there is too much slack, the cover straps may get broken by wind.

Do not let the water freeze in the heater during winter. A fire must not be lit in a heater that has already frozen over! The frozen stove should be taken to a warm room to thaw or be heated with a heat blower until it has completely thawed.

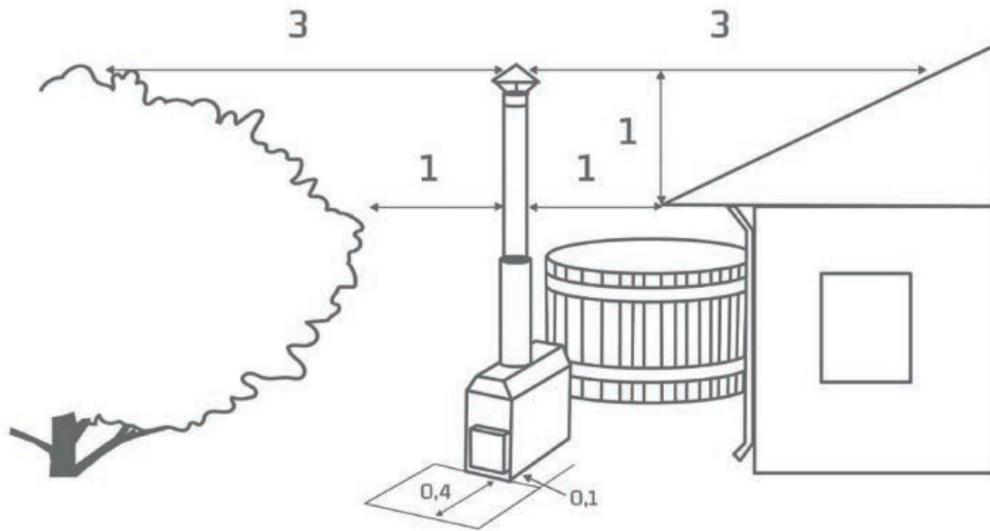
| | | |
|--|------------------------|--|
| | <p>CAUTION!</p> | <p>Use of chlorine or chlorine-containing chemicals will void the warranty.</p> |
|--|------------------------|--|

| | | |
|--|------------------------|---|
| | <p>CAUTION!</p> | <p>Incorrect maintenance or use may void the warranty.</p> |
|--|------------------------|---|

Fire safety and safe distances

- The hot tub must not be installed closer than 1 metre to the building’s eaves or other flammable objects. The safety distance between the top of the chimney and a flammable material is 3 metres.
- If a building or another flammable object is nearby and sparks can reach it, we advise purchasing the optional spark trap.
- The heater base should be made so that there is 40 cm of vacant space in front of the heater and 10 cm on the sides. (See more details in the “Base” section).
- The heater of the hot tub placed on a terrace must be installed in a safe place and protected with suitable fireproof materials from below and at the front of the furnace.
- The chimney and door of the heater will heat up during use, therefore bathers should be careful not to come into contact with them. The heater itself will not get hotter than the water temperature.
- To ensure safety, please make sure that the heater does not block a path and is not accessible to children.
- Additional options for the heater chimney are the spark trap, the chimney extension and the heat protector.

- You can contact the local rescue service for additional guidelines on selecting a safe installation place for the hot tub.
- When using the heater hoses included in the standard kit, the heaters chimney will be at a safe distance from the hot tub (0,8 m). If the hoses are shortened, we advise installing the heat protector on the chimney (optional accessory) for safety.



5 Residual risks

Residual risks are risks that remain even after the safety precautions have been applied.

| | | |
|--|-----------------------|---|
| | <p>DANGER!</p> | <p>Do not leave children unsupervised. Danger of drowning!</p> |
|--|-----------------------|---|

| | | |
|--|-----------------------|---|
| | <p>DANGER!</p> | <p>The external heater and the chimney will become hot during use! Do not touch with bare hands. Burning hazard!</p> |
|--|-----------------------|---|

| | | |
|--|-----------------------|---|
| | <p>DANGER!</p> | <p>Wet surfaces might cause slipping which may lead to serious injury!</p> |
|--|-----------------------|---|



6 Maintenance

The ash pan of the external heater must be emptied/cleaned after each use.

It is recommended to clean the hot tub after use. Hot tubs may be cleaned using a pressure washer or washing detergents. Cloths and sponges may also be used.

We advise you to oil the wooden finish of the hot tub (Valtti oil) a couple of months after receiving the hot tub or as soon as possible in spring, weather permitting. Afterwards, the hot tub must be treated with finishing oil again once a year. If your hot tub has a composite finish, it is maintenance-free.

The hinges of the external heater door must be lubricated with heatproof lubrication at least twice a year to ensure unobstructed movement of the door.

7 Warranty

The hot tub has been given a material and production defect warranty for a period of 24 months. The warranty is valid only if the user has read and understood the user and maintenance manual and follows it.

Note! Products designed for commercial use have a different warranty period.

This warranty does not cover flaws such as colour changes, problems caused by humidity, cracks etc. which are common to wooden materials.

The warranty does not cover discolouration of the plastic content (fading, limescale etc.)

Frost damage is not compensated, as it can be avoided through the correct use of the hot tub.

Damage caused by extreme weather or other weather phenomena is not covered by the warranty.

Normal wear resulting from the use of the product is not covered by the warranty.

The warranty does not cover corrosion damages caused by the use of chemicals not approved by the manufacturer and chemical overdoses.

The warranty does not cover corrosive damage resulting from the incorrect use of chemicals.

Additional costs such as building or taking down the terrace are not subject to be compensated under this warranty.

The warranty does not cover damage caused by water which has been enabled to get into the bubble system's pump (one can avoid this with proper use).

In the case of an oven with a black metal front panel, the warranty only covers damage to the rust through the front panel, surface rust is not covered by the warranty.

Unauthorized modifications and repairs or unintended use will void the warranty.

Storing the product in a wrong position or in unsuitable conditions will void the warranty.

The warranty is valid if the buyer informs the manufacturer of the defect within a reasonable time (7 days). The buyer must be able to reliably prove where and when the product was purchased and clearly state the subject matter of the issue.

8 Contact information

Koriks-Fiiber OÜ

Webpage: www.koriks.eu

Email: info@koriks.ee

Address: Sooja 6, Saue, Harjumaa 76505

Phone: (+372) 659 6442