

Hot tub external heater 30 kW

User and maintenance manual

Koriks-Fiiber OÜ

2018

Table of Contents


1 General information.....	3
1.1 Symbols	3
1.2 Definitions	3
1.3 Warnings.....	4
1.4 Manufacturer's information.....	4
2 Intended use	5
3 Transport, assembly and installation	5
3.1 Transport	5
3.2 Assembly and installation.....	6
4 Operational use.....	10
5 Residual risks.....	13
6 Maintenance	13
7 Warranty	14
8 Contact information.....	14


1 General information


The product user and maintenance manual includes information about the manufacturer, intended use, handling, transport, assembly, operational use and maintenance of the product.

This manual should be used as a how-to guide during the operation and maintenance of the product.

1.1 Symbols

	<p>DANGER!</p>	<p>Imminent danger!</p>
---	-----------------------	--------------------------------

	<p>CAUTION!</p>	<p>A potentially hazardous situation.</p>
--	------------------------	--

	<p>ATTENTION!</p>	<p>Note!</p>
---	--------------------------	---------------------

1.2 Definitions

Product – external heater for a hot tub.

Handling – transporting, installing or carrying out maintenance work on the product.

Operational use – using the product after correct handling and installation.

Assembly – assembling or installing various parts of the product.

Transport – moving the product from one location to another. Transporting also includes lifting the product from one place to another.

Residual risks – risks that are present during operational use and even after applying safety precautions.

Maintenance – actions related to cleaning, repairing or replacing various parts of the product.

Operator – anyone who is associated with product handling, transport, installation, or maintenance.

Warranty – a period after the product has been sold during which the manufacturer is responsible for the technical condition of the product. The warranty lasts 36 months from the date of purchase.

External heater – a heater connected to the hot tub for heating the water in the hot tub.

1.3 Warnings

Warranty is valid only when this manual and its requirements are followed.

Handling and maintenance may only be performed by operators who have read and understood this manual.

The operators must be at least 18 years of age and must have understood this manual.

The operator must wear safety equipment during all times.

All operations must be stopped immediately if a dangerous situation arises during handling or operational use of the product. Rescue service must be notified if necessary.

All installation and maintenance operations must be done by qualified operators.

If the construction of the product is modified, the product must be tested and approved by the manufacturer or its representative.

During the handling, installation, maintenance, and operational use of this product and its different parts, all necessary state laws / regulations must be considered (in addition to the content of this manual) to ensure the safety of users and the validity of the warranty.

No warranty is provided against damage resulting from reconstruction or modification of the product or use of non-original parts not approved by the manufacturer.

Please contact the manufacturer regarding any questions about this manual.

Please contact the manufacturer regarding any points that are not covered in this manual.

1.4 Manufacturer's information

Koriks-Fiiber OÜ

www.koriks.eu


Reg. No: 10959488

Address: Sooja 6, Saue, Harjumaa 76505


Phone: (+372) 659 6442


2 Intended use

The external heater is intended for use only outdoors and can be used all year round.

	<p>DANGER!</p>	<p>Using the product indoors is strictly prohibited and might lead to serious injury or death.</p>
---	-----------------------	---

It is prohibited to use the product for unintended purposes.

	<p>ATTENTION!</p>	<p>Using the product for unintended purposes may damage property or the product or cause health hazards.</p>
---	--------------------------	---

	<p>CAUTION!</p>	<p>Use of non-original parts may lead to serious injuries and damage to the product.</p>
--	------------------------	---

The external heater is intended to be used only outdoors and with the correct hot tub.

3 Transport, assembly and installation

3.1 Transport

The external heater is delivered on a transport pallet.

After receiving the product make sure that the packaging is not damaged. If the package is damaged, mark the damages on the transport documentation (CMR).

The weight of one package is approximately 35–38 kg.

Remove the plastic and cardboard packaging before assembling and installing the product.

At least two people are needed to lift the heater into the correct position. Use a lifting device if possible.

The external heater is made of high-quality marine aluminium.

The dimensions of the external heater are 700 × 655 × 405 mm.

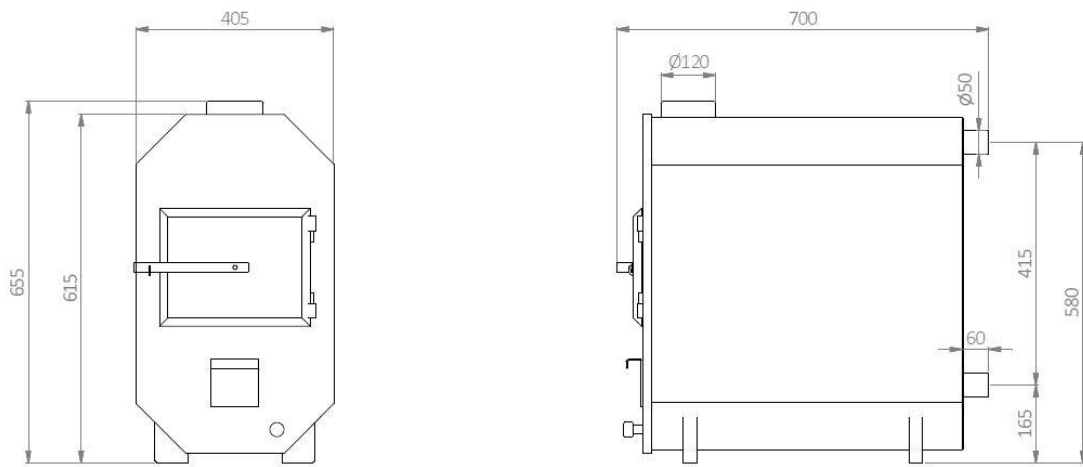


Image 1. General drawing

3.2 Assembly and installation

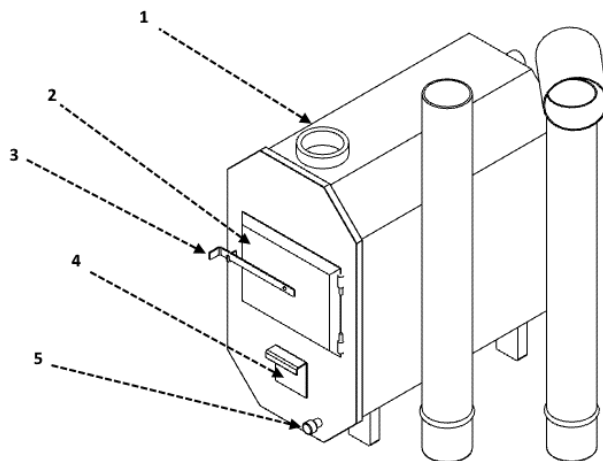


Image 2. Parts of the external heater

- Chimney opening (1)
- Heater door (2)
- Heater door handle (3)
- Heater ash pan (4)
- Heater drain plug (5)

Make sure that the external heater and chimney are not situated near flammable items/materials.

Safe distances must be consulted on with the local rescue service.

Loosen the hose clamps before connecting the hoses to the heater, and then push the hoses firmly onto the pipes behind the heater. The overlap must be at least 4 cm.

Liquid soap or another lubricant may be used to facilitate the process.

Make sure that the drain plug is closed before filling the hot tub with water.

Debris may flow from the heater when filling the hot tub with water for the first time.

Follow the assembly order specified in this manual.

The correct assembly order is as follows.

- Remove the plastic and cardboard packaging from the different parts.
- Install the hot tub on a pre-prepared flat and hard surface.
- Install the heater to the same level with the hot tub.
- Attach the elastic hoses (2 pcs) to the metal pipes on the rear of the external heater. The overlap must be at least 4 cm.
- Tighten the clamps (4 pcs). See images 4 and 6.
- Close the drain plugs on the hot tub and heater. See image 5.
- Attach the chimney to the external heater (two parts of the chimney need to be assembled beforehand). See image 7.
- Fill the hot tub with water.

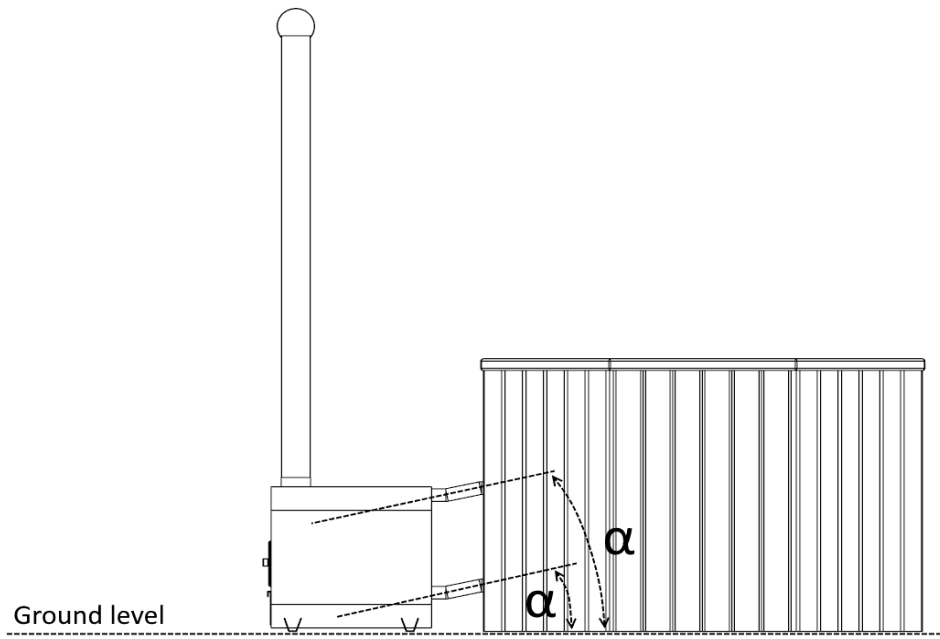


Image 3. Correct placement of elastic hoses when connecting heater and hot tub

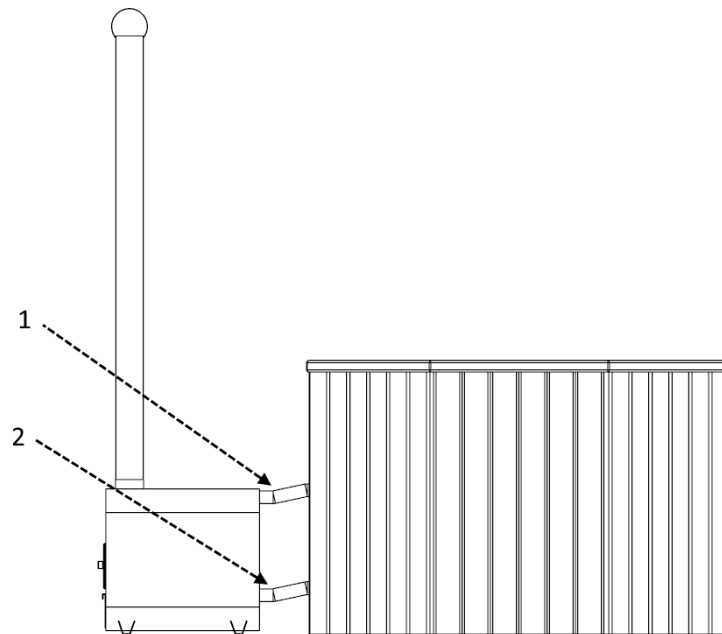


Image 4. Location of hose clamps

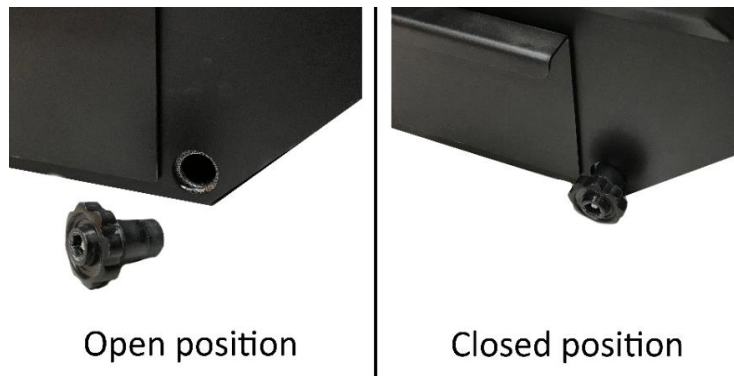


Image 5. External heater drain plug



Image 6. Hose clamp on the external heater



Image 7. Chimney assembly

4 Operational use




Read this manual before operating the external heater and check the following aspects.


- 1) Make sure installation works have been carried out correctly (following this manual).
- 2) The hot tub must be filled with water before starting a fire in the external heater.
- 3) The water level in the hot tub must be at least 5 cm above the higher pipe.
- 4) Make sure the drain plugs on the hot tub and heater are closed.
- 5) Make sure the hot tub is not leaking.
- 6) Make sure the hoses are properly connected.
- 7) Make sure that the hot tub, external heater, and their connecting hoses are properly installed. See images 3, 4 and 6.

To start a fire, place 4–6 logs of suitable length into the heater.

You can use paper, woodchips or flammable blocks to light the fire.

When using the heater (when a fire has already been lit in it), the door of the heater may only be opened for adding logs.

	<p>DANGER!</p>	<p>Leaving the external heater door open after adding logs may cause a fire.</p>
	<p>DANGER!</p>	<p>A fire must not be lit in the external heater before the hot tub is filled with water.</p>
	<p>DANGER!</p>	<p>Using fire accelerators such as ignition fluids or other similar fluids and solids is strictly prohibited. This may cause severe injuries or death and damage the product.</p>

	<p>CAUTION!</p>	<p>Placing objects onto the external heater is prohibited. Fire hazard!</p>
---	------------------------	--

The external heater and the chimney will get hot during use and will remain hot for several hours after use. It is prohibited to touch those parts with bare hands. Always use the door handle when opening the heater door. See image 2.

Only one adult person should operate the hot tub external heater.

Water circulation must be ensured when using the external heater.

Stir the water from time to time to achieve an evenly distributed water temperature.

The recommended water temperature is around 35–38 °C. Higher water temperatures may cause health problems.

Do not drain the hot tub until the fire in the heater has been extinguished and the coals have cooled down.


The drain plug must be left open if the external heater is not in use.


If water circulation is achieved using a pump, its working pressure must not exceed 0.5 bar.

The use of chlorine, chlorine-containing and other corrosive chemicals in the hot tub is prohibited. Before adding any chemicals to the water please read the chemical label and manual. Wrong use of chemicals can lead to health problems and damage of the product. We recommend using pool salt or Dutrion tablets to keep the water clean, instructions must be followed.

Do not use abrasive or rough material for cleaning. It is also prohibited to remove dirt using sharp objects.

Do not let the water freeze in the heater during winter. A fire must not be lit in a heater that has already frozen over!

	<p>CAUTION!</p>	<p>Use of chlorine or chlorine-containing chemicals will void the warranty.</p>
---	------------------------	--

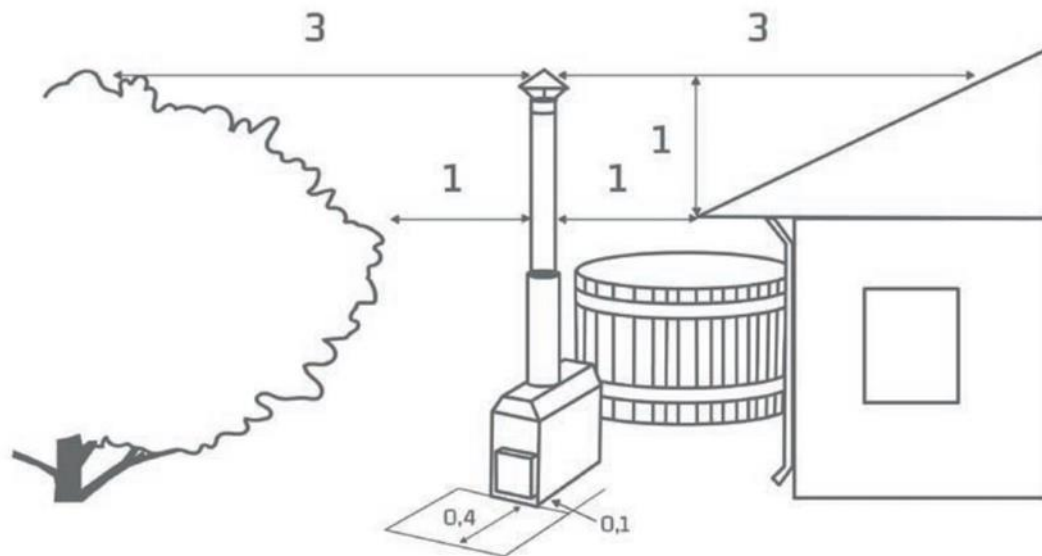
	CAUTION!	Incorrect maintenance or use may void the warranty.
---	-----------------	--

The power of the external heater is 30 kW (the temperature of 1 m³ water raises approximately 20 °C/h) and weight 35 kg.

Fire safety and safe distances


- The hot tub must not be installed closer than 1 metre to the building's eaves or other flammable objects. The safety distance between the top of the chimney and a flammable material is 3 metres.
- If a building or another flammable object is nearby and sparks can reach it, we advise purchasing the optional spark trap.
- The heater base should be made so that there is 40 cm of vacant space in front of the heater and 10 cm on the sides. (See more details in the "Base" section).
- The heater of the hot tub placed on a terrace must be installed in a safe place and protected with suitable fireproof materials from below and at the front of the furnace.
- The chimney and door of the heater will heat up during use, therefore bathers should be careful not to come into contact with them. The heater itself will not get hotter than the water temperature.
- To ensure safety, please make sure that the heater does not block a path and is not accessible to children.
- Additional options for the heater chimney are the spark trap, the chimney extension and the heat protector.
- You can contact the local rescue service for additional guidelines on selecting a safe installation place for the hot tub.

- When using the heater hoses included in the standard kit, the heaters chimney will be at a safe distance from the hot tub (0,8 m). If the hoses are shortened, we advise installing the heat protector on the chimney (optional accessory) for safety.



5 Residual risks

Residual risks are risks that remain even after the safety precautions have been applied.

	<p>DANGER!</p>	<p>The external heater will be hot during use! Do not touch with bare hands. Burning hazard!</p>
---	-----------------------	---

6 Maintenance

The ash pan of the external heater must be emptied/cleaned after each use.

The hinges of the external heater door must be lubricated with heatproof lubrication at least twice a year to ensure unobstructed movement of the door.

7 Warranty

The heater has been given a material and production defect warranty for a period of 36 months. The warranty is valid only if the user has read and understood the user and maintenance manual and follows it.

Note! Products designed for commercial use have a different warranty period.

Frost damage is not compensated, as it can be avoided through the correct use of the heater.

Damage caused by extreme weather or other weather phenomena is not covered by the warranty.

Normal wear resulting from the use of the product is not covered by the warranty.

In the case of an oven with a black metal front panel, the warranty only covers damage to the rust through the front panel, surface rust is not covered by the warranty.

The warranty does not cover corrosive damage resulting from the incorrect use of chemicals.

Unauthorised modifications and repairs or unintended use will void the warranty.

Storing the product in a wrong position or in unsuitable conditions will void the warranty.

The warranty is valid if the buyer informs the manufacturer of the defect within a reasonable time (7 days). The buyer must be able to reliably prove where and when the product was purchased and clearly state the subject matter of the issue.

8 Contact information

Koriks-Fiiber OÜ

Webpage: www.koriks.eu

Email: info@koriks.ee

Address: Sooja 6, Saue, Harjumaa 76505

Phone: (+372) 659 6442